



2012 Sportsman Catalog

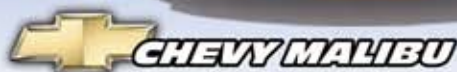
OFFICIAL BODY OF

MID-AMERICAN RACING SERIES

Best Looking Sportsman Body Anywhere!



Durable Plastic Fenders



Next Generation Sportsman Bodies

88 Monte Carlo & 86 Caprice Body Components



Do all to the Glory of GOD 1st Cor 10:31

All the Accessories You Need!



1-888-245-1468

2012 Sportsman Catalog Contents

NGB Chevy Malibu Body Packages 2

Complete body packages and time saving components

NGB Pontiac G8 Body Packages 3

Complete body packages and time saving components

NGB Dodge Charger Body Packages 4

Complete body packages and time saving components

NGB Lincoln MKS Body Packages 5

Complete body packages and time saving components

NGB Cadillac CTS Body Packages 6

Complete body packages and time saving components

NGB Replacement Body Components 7

List of individual body components, body dimension sheet

110"-118" NGB Sportsman Body Packages 8

Complete body packages for longer wheelbase cars

NGB Sportsman Replacement Components 9

List of individual body components

NGB Spoilers, Supports & Braces 10

NGB wing kits, spoilers, roof supports and window braces

NGB EZ-MAX Duct Work Systems 11

EZ-MAX duct work systems

Bumper Bars, Pin Bars & Accessories 12

NGB bumpers, installation kits and adjustable sliders

Hood Pin Kits & Replacement Parts 13

Hood pin kits, cowl pin brackets, lanyards and scuff plates

NGB Nose Components 14

NGB Grill Screen, valances and valance attachment kits

Fender and Nose Braces 15

Steel, aluminum & flex braces, replaceable ends

Adjustable Hex Body Braces 16

Adjustable 3/8" hex body brace kits

Rivets, Clecos, Washers & Drill Bits 17

Avex and Exploding Star Rivets, Backup Washers, Cleco Pliers

88 Monte Carlo 18

Nose, grill screens and graphics

88 Monte Carlo 19

Valance wear strips, rear bumper cover, spoilers and hood

86 Caprice 20

Nose, grill screens and graphics

86 Caprice 21

Bumper bars, pin bars, spoiler mount kit, spoilers, hood

Pro Flow Cold Air Boxes

- Available in 2BBL. and 4BBL.
- Light Weight Composite Design
- Engine and Chassis Dyno Tested
- Better Distributor Clearance
- Choice of 14" or 16" Filter Size
(filter not included)

4BBL. 14" - PN 40414 \$ 269.50

4BBL. 16" - PN 40416 \$ 269.50

Replacement 1/2" Carb Ring - PN 40012 \$ 19.95

*also fits 2 barrel 4412 with no choke horn

Manufactured in Light Gray for Best Heat Reflection resulting in Cooler Air for your Carburetor

Dyno Proven / Track Tested

Results Guaranteed...

Makes More HP at Rear Wheels

Chassis Dyno Test Show up to 7 HP gain at Rear Wheels with 2BBL. Box!

Used by: Chase Elliott, Hamner Performance, Sammy Sanders

Chassis Dyno Test Show up to 5 HP gain at Rear Wheels with 4BBL. Box!



Foam Insulation in base to keep air cooler!



2BBL. 14" - PN 40214 \$ 269.50

NGB Chevy Malibu Body Packages

CHEVY MALIBU



Best Looking Sportsman Bodies Ever!



Durable Plastic Fenders

GM Metric Chassis, 108" Wheelbase

Complete Flange Fit Body Packages

Body kits include: plastic nose and tail covers, plastic fenders, composite hood, roof, cowl, deck filler and quarters, aluminum doors, rockers and deck lid.

Description	Part #	Racer
Body Kit, White	10309	1495.00
Body Kit, Black	10309B	1695.00
Body Kit, Red	10309R	1820.00
Body Kit, Yellow	10309Y	1820.00
Body Kit, Orange	10309OR	1820.00
Body Kit, Pepsi Blue	10309PB	1820.00
Body Kit, Chevron Blue	10309CB	1820.00

Rear Wing/Spoiler Packages

Wing/Spoiler packages are designed to meet the requirements of your track, series or sanctioning bodies.

Wing, Adjustable, Aluminum	40103	269.00
Wing, Adjustable, Black	40103B	289.00
Spoiler, Conventional, 5 x 50 degree	40355	107.50
Spoiler, Conventional, 5 x 70 degree	40357	107.50

Window Packages

All window packages include pre-cut, bordered, and drilled uncoated quarter windows.

Window Kit, Basic (oversize front non marguard and oversize rear non marguard)	71106	250.00
Window Kit, Basic Delux (oversize marguard front, oversize rear non marguard)	71107	314.50
Window Kit, Master Builder (precut/drilled/blacked marguard front and precut/drilled/blacked rear)	71109	510.00

Time Saving Body Components

EZ Max Plastic Molded Duct Work, see pg11	42105	189.50
CNC Cut Grill Screen, see pg14	10391	44.50
Valance Wear Strip, see pg14 for color information	402103x	34.50
Preformed Front Bumper Bar, see pg13	10355	32.00
Preformed Rear Bumper Bar, see pg13	10365	32.00
Master Decal Kit, Chevrolet Malibu	103420	56.95

(master decal kit includes: headlights, tail lights, quarter window accent blackouts, upper grill screen decal and manufacture identification decals)

Master Accessory Package

(front & rear bumper bars, hood & tail pin bars, cowl pin bracket kit, extruded deck lid hold down, three 3/8" standard hood pin kits, front & rear window braces, front & rear roof supports and lower nose screen).	103402	338.75
-----------------------------------------------------------------------------------------------------------------------------------------------------------------------------------------------------------------------	--------	--------

NGB Pontiac G8 Body Packages

PONTIAC G8



Durable Plastic Fenders

Great Looking Bodies!

GM Metric Chassis, 108" Wheelbase

Complete Flange Fit Body Packages

Body kits include: plastic nose and tail covers, plastic fenders, composite hood, roof, cowl, deck filler and quarters, aluminum doors, rockers and deck lid.

Description	Part #	Racer
Body Kit, White	10309	1495.00
Body Kit, Black	10309B	1695.00
Body Kit, Red	10309R	1820.00
Body Kit, Yellow	10309Y	1820.00
Body Kit, Orange	10309OR	1820.00
Body Kit, Pepsi Blue	10309PB	1820.00
Body Kit, Chevron Blue	10309CB	1820.00

Rear Wing/Spoiler Packages

Wing/Spoiler packages are designed to meet the requirements of your track, series or sanctioning bodies.

Wing, Adjustable, Aluminum	40103	269.00
Wing, Adjustable, Black	40103B	289.00
Spoiler, Conventional, 5 x 50 degree	40355	107.50
Spoiler, Conventional, 5 x 70 degree	40357	107.50

Window Packages

All window packages include pre-cut, bordered, and drilled uncoated quarter windows.

Window Kit, Basic (oversize front non marguard and oversize rear non marguard)	71106	250.00
Window Kit, Basic Delux (oversize marguard front, oversize rear non marguard)	71107	314.50
Window Kit, Master Builder (precut/drilled/blacked marguard front and precut/drilled/blacked rear)	71109	510.00

Time Saving Body Components

EZ Max Plastic Molded Duct Work, see pg11	42105	189.50
CNC Cut Grill Screen, see pg14	10391	44.50
Valance Wear Strip, see pg14 for color information	402103x	34.50
Preformed Front Bumper Bar, see pg13	10355	32.00
Preformed Rear Bumper Bar, see pg13	10365	32.00
Master Decal Kit, Pontiac G8 (master decal kit includes: headlights, tail lights, upper grill screen decal and manufacture identification decals)	104420	56.95

Master Accessory Package

(front & rear bumper bars, hood & tail pin bars, cowl pin bracket kit, extruded deck lid hold down, three 3/8" standard hood pin kits, front & rear window braces, front & rear roof supports and lower nose screen).	103402	338.75
-----------------------------------------------------------------------------------------------------------------------------------------------------------------------------------------------------------------------	--------	--------

NGB Dodge Charger Body Packages

CHARGER



One Bad Dodge!



Durable Plastic Fenders

GM Metric Chassis, 108" Wheelbase

Complete Flange Fit Body Packages

Body kits include: plastic nose and tail covers, plastic fenders, composite hood, roof, cowl, deck filler and quarters, aluminum doors, rockers and deck lid.

Description	Part #	Racer
Body Kit, White	10309	1495.00
Body Kit, Black	10309B	1695.00
Body Kit, Red	10309R	1820.00
Body Kit, Yellow	10309Y	1820.00
Body Kit, Orange	10309OR	1820.00
Body Kit, Pepsi Blue	10309PB	1820.00
Body Kit, Chevron Blue	10309CB	1820.00

Rear Wing/Spoiler Packages

Wing/Spoiler packages are designed to meet the requirements of your track, series or sanctioning bodies.

Wing, Adjustable, Aluminum	40103	269.00
Wing, Adjustable, Black	40103B	289.00
Spoiler, Conventional, 5 x 50 degree	40355	107.50
Spoiler, Conventional, 5 x 70 degree	40357	107.50

Window Packages

All window packages include pre-cut, bordered, and drilled uncoated quarter windows.

Window Kit, Basic (oversize front non marguard and oversize rear non marguard)	71106	250.00
Window Kit, Basic Delux (oversize marguard front, oversize rear non marguard)	71107	314.50
Window Kit, Master Builder (precut/drilled/blacked marguard front and precut/drilled/blacked rear)	71109	510.00

Time Saving Body Components

EZ Max Plastic Molded Duct Work, see pg11	42105	189.50
CNC Cut Grill Screen, see pg14	10391	44.50
Valance Wear Strip, see pg14 for color information	402103x	34.50
Preformed Front Bumper Bar, see pg13	10355	32.00
Preformed Rear Bumper Bar, see pg13	10365	32.00
Master Decal Kit, Dodge Charger	303420	56.95

(master decal kit includes: headlights, tail lights, quarter window accent blackouts, upper grill screen decal and manufacture identification decals)

Master Accessory Package

(front & rear bumper bars, hood & tail pin bars, cowl pin bracket kit, extruded deck lid hold down, three 3/8" standard hood pin kits, front & rear window braces, front & rear roof supports and lower nose screen).

103402 338.75

NGB Lincoln MKS Body Packages



Hot Rod Lincoln

MKS 

Great Looking Bodies!

GM Metric Chassis, 108" Wheelbase

Durable Plastic Fenders

Complete Flange Fit Body Packages

Body kits include: plastic nose and tail covers, plastic fenders, composite hood, roof, cowl, deck filler and quarters, aluminum doors, rockers and deck lid.

Description	Part #	Racer
Body Kit, White	10309	1495.00
Body Kit, Black	10309B	1695.00
Body Kit, Red	10309R	1820.00
Body Kit, Yellow	10309Y	1820.00
Body Kit, Orange	10309OR	1820.00
Body Kit, Pepsi Blue	10309PB	1820.00
Body Kit, Chevron Blue	10309CB	1820.00

Rear Wing/Spoiler Packages

Wing/Spoiler packages are designed to meet the requirements of your track, series or sanctioning bodies.

Wing, Adjustable, Aluminum	40103	269.00
Wing, Adjustable, Black	40103B	289.00
Spoiler, Conventional, 5 x 50 degree	40355	107.50
Spoiler, Conventional, 5 x 70 degree	40357	107.50

Window Packages

All window packages include pre-cut, bordered, and drilled uncoated quarter windows.

Window Kit, Basic (oversize front non marguard and oversize rear non marguard)	71106	250.00
Window Kit, Basic Delux (oversize marguard front, oversize rear non marguard)	71107	314.50
Window Kit, Master Builder (precut/drilled/blacked marguard front and precut/drilled/blacked rear)	71109	510.00

Time Saving Body Components

EZ Max Plastic Molded Duct Work, see pg11	42105	189.50
CNC Cut Grill Screen, see pg14	10391	44.50
Valance Wear Strip, see pg14 for color information	402103x	34.50
Preformed Front Bumper Bar, see pg13	10355	32.00
Preformed Rear Bumper Bar, see pg13	10365	32.00
Master Decal Kit, Lincoln MKS	204420	56.95

(master decal kit includes: headlights, tail lights, quarter window accent blackouts, upper grill screen decal and manufacture identification decals)

Master Accessory Package

(front & rear bumper bars, hood & tail pin bars, cowl pin bracket kit, extruded deck lid hold down, three 3/8" standard hood pin kits, front & rear window braces, front & rear roof supports and lower nose screen).	103402	338.75
-----------------------------------------------------------------------------------------------------------------------------------------------------------------------------------------------------------------------	--------	--------

NGB Cadillac CTS Body Packages

GM Metric Chassis, 108" Wheelbase



**Durable
Plastic
Fenders**

**This
Ain't Your
Daddys Caddy!**



Complete Flange Fit Body Packages

Body kits include: plastic nose and tail covers, plastic fenders, composite hood, roof, cowl, deck filler and quarters, aluminum doors, rockers and deck lid.

Description	Part #	Racer
Body Kit, White	10309	1495.00
Body Kit, Black	10309B	1695.00
Body Kit, Red	10309R	1820.00
Body Kit, Yellow	10309Y	1820.00
Body Kit, Orange	10309OR	1820.00
Body Kit, Pepsi Blue	10309PB	1820.00
Body Kit, Chevron Blue	10309CB	1820.00

Rear Wing/Spoiler Packages

Wing/Spoiler packages are designed to meet the requirements of your track, series or sanctioning bodies.

Wing, Adjustable, Aluminum	40103	269.00
Wing, Adjustable, Black	40103B	289.00
Spoiler, Conventional, 5 x 50 degree	40355	107.50
Spoiler, Conventional, 5 x 70 degree	40357	107.50

Window Packages

All window packages include pre-cut, bordered, and drilled uncoated quarter windows.

Window Kit, Basic (oversize front non marguard and oversize rear non marguard)	71106	250.00
Window Kit, Basic Delux (oversize marguard front, oversize rear non marguard)	71107	314.50
Window Kit, Master Builder (precut/drilled/blacked marguard front and precut/drilled/blacked rear)	71109	510.00

Time Saving Body Components

EZ Max Plastic Molded Duct Work, see pg11	42105	189.50
CNC Cut Grill Screen, see pg14	10391	44.50
Valance Wear Strip, see pg14 for color information	402103x	34.50
Preformed Front Bumper Bar, see pg13	10355	32.00
Preformed Rear Bumper Bar, see pg13	10365	32.00
Master Decal Kit, Cadillac CTS	105420	56.95

(master decal kit includes: headlights, tail lights, quarter window accent blackouts, upper grill screen decal and manufacture identification decals)

Master Accessory Package

(front & rear bumper bars, hood & tail pin bars, cowl pin bracket kit, extruded deck lid hold down, three 3/8" standard hood pin kits, front & rear window braces, front & rear roof supports and lower nose screen).

103402 338.75

NGB Replacement Body Components

NGB Individual Body Components

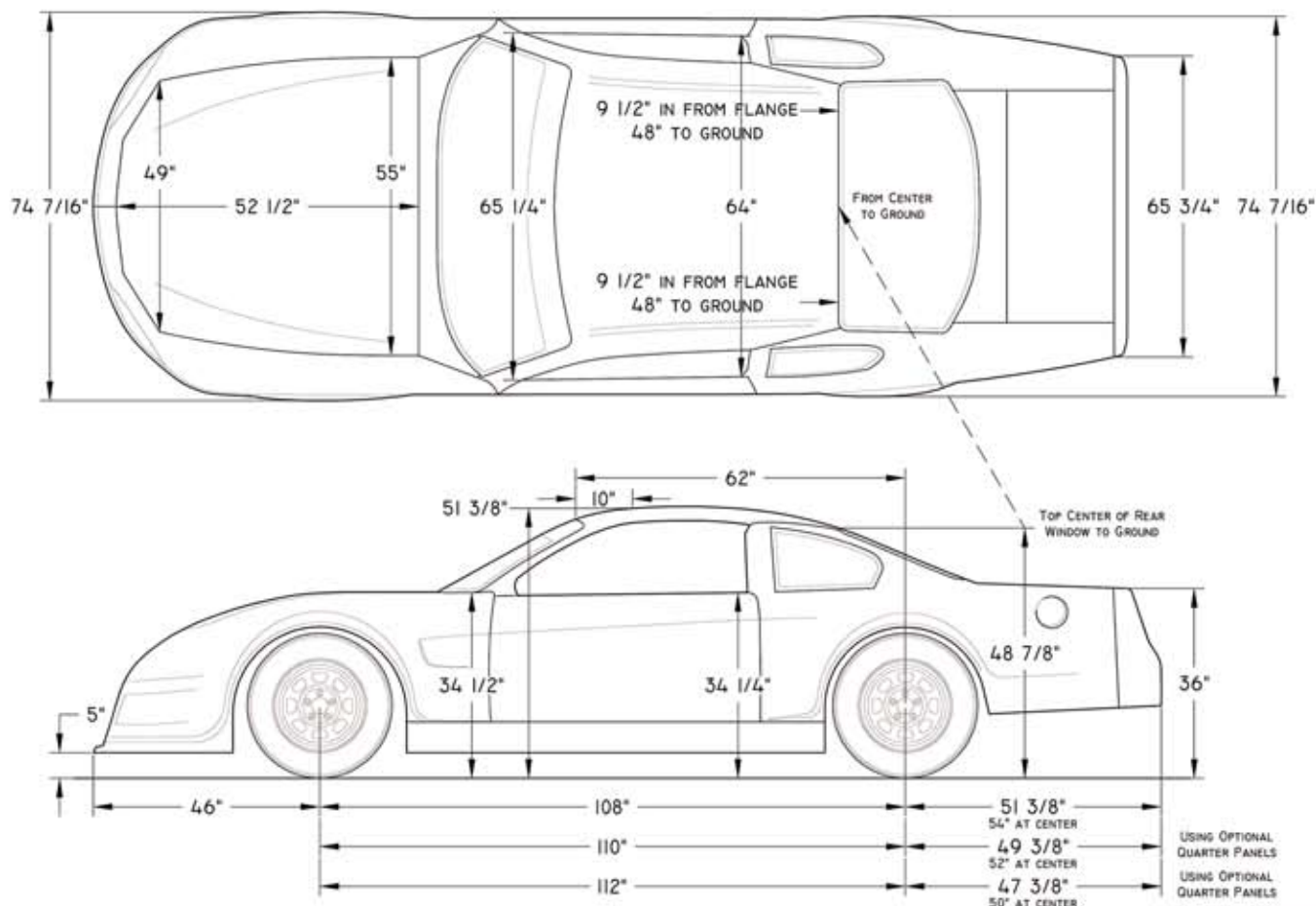
Change x to L (left) or x to R (right)

Body Panels Available in 7 Colors / Add color code to end of part number

Color Codes: W=White, B=Black, R=Red, Y=Yellow, O=Orange, CB=Chevron Blue, PB=Peppal Blue

Desription	Part #	Colors	Black	*Racer
Fender/Plastic, NGB	10300x	136.50	117.50	117.50
Door, Aluminum	10310x	88.50	85.00	79.75
Quarter, Fiberglass	10320x	163.50	163.50	143.50
Deck Lid, Aluminum	10370	58.00	55.25	50.00
Deck Filler, Fiberglass	10375	121.25	111.00	101.00
Hood, Fiberglass	10360	263.75	253.75	166.75
Roof, Fiberglass	10350	221.75	211.75	161.75
Rocker Panel, Aluminum	10340	41.00	37.00	31.25
Cowl Kit, Fiberglass	10380	189.00	173.25	157.50
Cowl Body, Fiberglass	10381	108.50	99.50	90.50
Cowl Center, Aluminum	10382	80.50	73.75	67.75
Cowl Flow Pan, Fiberglass	10083			
Nose, Upper & Lower Kit	10307x	109.95	89.95	89.95
Nose, Upper, Plastic	10305x	74.95	54.95	54.95
Nose, Lower, Plastic	10306x	69.95	49.95	49.95
Tail, Plastic	10315x	74.50	64.50	64.50

*White Body Panels



110"-118" NGB Sportsman Body Packages



Shown using a
Conventional Spoiler



As seen in Circle Track Magazine *Plastic Fenders* car shown has 117" Wheelbase

Complete Flange Fit Body Packages

Body kits include: plastic nose and tail covers, plastic fenders, composite hood, roof, cowl, deck filler and optional wheelbase quarters with flares, aluminum doors, rockers and deck lid.

Description	Part #	Racer
Body Kit, White	11309	1495.00
Body Kit, Black	11309B	1695.00
Body Kit, Red	11309R	1820.00
Body Kit, Yellow	11309Y	1820.00
Body Kit, Orange	11309OR	1820.00
Body Kit, Pepsi Blue	11309PB	1820.00
Body Kit, Chevron Blue	11309CB	1820.00

Rear Wing/Spoiler Packages

Wing/Spoiler packages are designed to meet the requirements of your track, series or sanctioning bodies.

Wing, Adjustable, Aluminum	40103	199.00
Wing, Adjustable, Black	40103B	229.00
Spoiler, Conventional, 5 x 50 degree	40355	107.50
Spoiler, Conventional, 5 x 70 degree	40357	107.50

Master Decal Packages

headlight & taillight decals, quarter window accent blackouts, upper grill screen decal and manufacturer identification decals.

Decal Kit, Chevrolet Malibu	103420	56.95
Decal Kit, Pontiac G8	104420	56.95
Decal Kit, Cadillac CTS	105420	56.95
Decal Kit, Ford Fusion	106420	56.95
Decal Kit, Lincoln MKS	204420	56.95
Decal Kit, Dodge Charger	303420	56.95

Window Packages

All window packages include pre-cut, bordered, and drilled uncoated quarter windows.

Window Kit, Basic (oversize front non marguard and oversize rear non marguard)	71106	250.00
Window Kit, Basic Delux (oversize marguard front, oversize rear non marguard)	71107	314.50
Window Kit, Master Builder (precut/drilled/blacked marguard front and precut/drilled/blacked rear)	71109	510.00

Master Accessory Package

Accessory Kit, Master Builder (front & rear bumper bars, hood & tail pin bars, cowl pin bracket kit, extruded deck lid hold down, three 3/8" standard hood pin kits, front & rear window braces, front & rear roof supports and lower nose screen).	103402	338.75
-----------------------------------------------------------------------------------------------------------------------------------------------------------------------------------------------------------------------------------------------------	--------	--------

110"-118" NGB Sportsman Replacement Body Components

110"-118" NGB Sportsman Individual Body Components

Change x to L (left) or x to R (right)

Body Panels Available in 7 Colors / Add color code to end of part number

Color Codes: W=White, B=Black, R=Red, Y=Yellow, O=Orange, CB=Chevron Blue, PB=Pepsi Blue

Desription	Part #	Colors	Black	*Racer
Fender/Plastic, NGB	10300x	136.50	117.50	117.50
Door, Aluminum	10310x	88.50	85.00	79.75
Optional Wheelbase Quarter, Fiberglass	11320x	163.50	163.50	143.50
Optional Wheelbase Quarter Flare	11321x	54.50	54.50	49.50
Deck Lid, Aluminum	10370	58.00	55.25	50.00
Deck Filler, Fiberglass	10375	121.25	111.00	101.00
Hood, Fiberglass	10360	263.75	253.75	166.75
Roof, Fiberglass	10350	221.75	211.75	161.75
Rocker Panel, Aluminum	10340	41.00	37.00	31.25
Cowl Kit, Fiberglass	10380	189.00	173.25	157.50
Cowl Body, Fiberglass	10381	108.50	99.50	90.50
Cowl Center, Aluminum	10382	80.50	73.75	67.75
Cowl Flow Pan, Fiberglass	10083			
Nose, Upper & Lower Kit	10307x	109.95	89.95	89.95
Nose, Upper, Plastic	10305x	74.95	54.95	54.95
Nose, Lower, Plastic	10306x	69.95	49.95	49.95
Tail, Plastic	10315x	74.50	64.50	64.50

*White Body Panels

Take your current Sportsman from this...



Take that 80's Model to the 21st century!



Great Look & Superior Aerodynamics!

To This...



as seen in
CIRCLE TRACK MAGAZINE



This car has a 117" Wheelbase



Finally a True Sportsman Aftermarket Body designed to fit the taller, larger Sportsman style roll cages

NGB Spoilers, Supports & Braces

NGB Adjustable Wing Kits

ARbodies introduced the Next Generation Mid Am Series body & wing in 2009. These wings were designed to help give a fresh up to date look that was more appealing to the younger generation. The center foil is extruded aluminum with pretapped holes to attach the 1/8" aluminum end plates. Both end plates have a 90 degree flange on the bottom edge with 4 mounting holes for proper mounting. 6 easy adjustment holes in each end plate allow you to tune the rear downforce by adjusting the angle of the center foil. This kit comes standard with the center foil, 2 end caps, wicker bill and all rivets and bolts to assemble and attach to your car.



Mill Finish Kit - PN 40103 \$ 269.00
 Black Powder Coated Kit - PN #40103B \$ 289.00

NGB Conventional Spoiler Kits & Braces



2pc Tig welded aluminum spoiler base and 2 pc 3/16" lexan spoiler blades. Designed to fit our Mid Am Series Next Gen Bodies, available in 50 & 70 degree angles. For the ultimate in downforce use our new adjustable spoiler braces. Braces available in 4", 6", 7" and 8", change last number in part number for different lengths.

5" x 60" x 50° - PN 40355 \$ 107.50
 5" x 60" x 70° - PN 40357 \$ 107.50
 6" Brace - PN 40115-6 \$ 21.50 ea

**custom order any height spoiler you need, call for pricing*

Roof Supports

Makes mounting and adjusting your roof easy, helps support the front and rear of your roof while keeping the proper shape for best airflow and downforce. Lightweight precision body mounting component.



Front - PN 10351 \$ 29.95 ea
 Rear - PN 10352 \$ 29.95 ea

Window Braces

Trick looking CNC cut lightweight braces help keep your window supported with minimal weight.

Designed to fit the contour of your window and help maintain shape and dowforce. Comes with foam stripping to keep from marring window.



3pc Front 29.5" - PN 70105 \$ 57.50
 2pc Rear 30.5" - PN 71101 \$ 43.50
 3pc Universal Trim to Fit 32" - PN 70104 \$ 57.50

NGB EZ-MAX Duct Work Systems

- ➔ 2 pc. molded durable plastic design easily adjusts left or right, in or out, and up or down for a sure fit.
- ➔ AERO Ribs, control and direct the air as it is distributed into the radiator.
- ➔ 1" Mounting flange helps create a positive seal to the radiator and nose piece
- ➔ Clear radiator inspection panel easily removes with quick release fasteners for easy cleaning, fasteners and springs included

EZ MAX Duct Work Systems

Now it's EZ to have Professional style Duct work right out of a box.

Complete NGB EZ MAX kit
PN 42105 \$ 189.50



Unique 2 pc. Slide Together Design makes it simple

Designed to fit new NGB nose and stock front clips

Used By Mike Lichtfeld, 2009 Dells Raceway Park Super Stock Points Champion



9 Time Fast Qualifier & 6 Feature Wins still using the same duct work after 3 wrecks



Durable Molded Plastic
Keeps your engine running cool

EZ to install... EZ to Adjust... EZ to inspect... EZ to clean out

Bumper Bars, Pin Bars & Accessories

NGB Front and Rear Bumper Bars

1-3/4" .065 wall mild steel round tubing preformed to fit the contour of the NGB Nose and Tail

Bumper Bars are now 3" shorter on each end for better fit and economical shipping rates

NGB Front Bumper Bar -
PN 10355 \$ 32.00

NGB Rear Bumper Bar - PN 10365 \$ 32.00

NGB Hood and Tail Pin Bars

5/8" mild steel square tubing preformed to fit the contour of the NGB Nose and Tail
Comes with jig welded hood pin tabs for easy replacement

All RED & YELLOW tubing components painted to show detail
Actual parts are bare, unpainted steel

NGB Hood Pin Bar with tabs
PN 10358 \$ 26.50

NGB Tail Pin Bar with tabs - PN 10367 \$ 24.50

Front and Rear Bumper Bar Installation Kits

- (2) 1-1/2" round 22" *prenotched tubes (front 30°, Rear 10°)
 - (2) Weld on receivers with threaded boss and thru hole
 - (2) Jam Bolts, (2) thru bolts with nyloc nuts
- *tubes are prenotched to fit 1-3/4" round bumper bars

Front Bumper Installation Kit - PN 50306 \$ 19.95

Rear Bumper Installation Kit - PN 50307 \$ 19.95

Makes it EZ when trying to set heights
and adjust large panels!



Adjustable Slider's

Makes for easy adjustment (2-3/4") of hood or tail pin bars, rockers and other body panels

(2) 6" x 3/4" tubes fit over 5/8" square

(2) 3/8" bolts and flange nuts

PN 50305 \$ 7.95 (pkg of 2)

Hood Pin Kits & Replacement Parts

1/2" Hood Pin Kits

Each Kit comes with 4 pins, 8 jam nuts, 4 scuff plates & your choice of Clip.

	Solid Pin	Gundrilled
1/2" Aluminum with Hair Pin	41860	41960
1/2" Aluminum with Torsion	40860	40960
Price:	\$20.95	\$25.95

3/8" Hood Pin Kits, Aluminum & Steel

Each Pin comes with 2 jam nuts, scuff plate & your choice of Clip, all Steel Pins are Chrome plated.

	2 Pin Kit	4 Pin Kit	5 Pin Kit
3/8" Aluminum Solid Pin w/ Hair Pin	41062	41060	43100
3/8" Aluminum Solid Pin w/ Torsion	40062	40060	42100
Price:	\$12.95	\$22.95	\$28.95
3/8" Steel Solid Pin w/ Hair Pin	41662	41660	41665
3/8" Steel Solid Pin w/ Torsion	40662	40660	40665
Price:	\$11.95	\$20.95	\$25.95

3/8" Lightweight Gundrilled Hood Pin Kits, Aluminum & Steel

Each Pin comes with 2 jam nuts, scuff plate & your choice of Clip, all Steel Pins are Chrome plated.

	2 Pin Kit	4 Pin Kit	5 Pin Kit
3/8" Aluminum Gundrilled w/ Hair Pin	41562	41560	41065
3/8" Aluminum Gundrilled w/ Torsion	40562	40560	40065
Price:	\$15.95	\$27.95	\$34.95
3/8" Steel Gundrilled w/ Hair Pin	41762	41760	41765
3/8" Steel Gundrilled w/ Torsion	40762	40760	40765
Price:	\$12.95	\$25.95	\$32.95

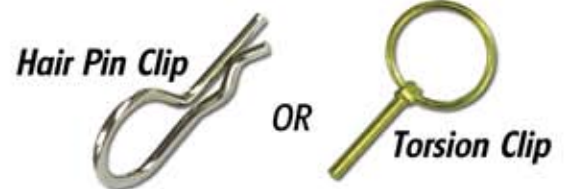
Cowl Pin Brackets

.100 aluminum brackets designed to fit prenotched areas on your ABC Cowl Panel. Pre drilled rivet holes and hood pin hole for 3/8" pin, can be drilled for 1/2" pin. CNC stamped for durability.



Pkg of 4
PN 10084 \$ 19.95

Hair Pin Clip or Torsion Clip
Your Choice, Same Great Price!



Replacement Clips & Lanyards

Don't forget to keep spares in the pit cart!

Pkg of 5 Hair Pin Clips - PN 42260 \$ 6.95

Chrome Plated



21" lanyard

1 lanyard makes
2 pin hangers

Pkg of 5 Torsion Clips - PN 41160 \$ 6.95

Zinc Coated



Clip Lanyard
PN 43000 \$ 5.95 ea

*lanyard not included with clips

Replacement Scuff Plates

**Lightened
Aluminum**



Pkg of 4 Slotted 3/8 Scuff Plates - PN 40260 \$ 6.00
Pkg of 4 Regular 3/8 Scuff Plates - PN 40160 \$ 5.00
Pkg of 4 Regular 1/2 Scuff Plates - PN 40360 \$ 5.50

NGB Nose Components

NGB Lower Grill Screen

Lightweight aluminum with welded stainless steel wire. Saves many hours when trying to fabricate from scratch.

PN 10391 \$ 46.50 ea



NGB Valance Wear Strips

Durable polyethylene strip allows you to keep your nose sucked down to the track. Mounts with either of our lightweight Valance Attachment Kits shown below.

Available in 8 Racing Colors
(B-black, W-white, R-red, O-orange,
PB-pepsi blue, CB-chevron blue, Y-yellow,
NO-neon orange, NY-neon yellow)

PN 402103x (x=color) \$ 34.50 pair



CNC Cut Valance
with adjustable slots

Valance Attachment Kit 3/16" & 1/4"

Great Looking CNC machined from lightweight aluminum. 1 1/8" OD to keep your valance wear strip firmly where you want it. Enough CNC machined components to completely install your new Valance Wear Strip Kit. 80 piece kit includes CNC washers, flat head allen screws with nylocks and backup washers.

**Nicest Valance Kit
Available!**

lightweight 3/16" - PN 42305 \$ 49.50
1/4" - PN 40305 \$ 49.50



Valance Washer Repair Kit 3/16" & 1/4"

Want to spruce up your ride with a few new valance washers... we have just what you need. This 20 piece repair kit saves you money. Repair kit includes 5 CNC machined large OD valance washers, 5 flat head allen screws with nylocks and 5 backup washers.

lightweight 3/16" - PN 42405 \$ 14.50
1/4" - PN 40405 \$ 14.50

Fender and Nose Braces

Steel Fender/Nose Brace

3/8" Steel 2pc slide together tubing braces. Designed to slide into a 1/2" telescoping tube with welded 1/4-20 threads. Durable Gloss Black Powder Coated Finish. Adjust to 28" and can be cut down to 8". Approx weight = 6 ounces

PN 50201 \$ 10.95 ea

Nicest Body Braces
Anywhere

Works Great to Brace & Adjust Nose Supports and Fenders

PN 50202 \$ 11.95ea

ALL NEW Durable Aluminum Fender/Nose Brace

Same as above except it is all aluminum for the best in weight savings. Approx 1/2 the weight of steel even when using replaceable steel ends. Silver Powder Coated Receiver Tube. Weighs less than 3 ounces.

Now with Heavy Duty replaceable ends!

Replaceable Aluminum & Steel Ends

Fits 3/8" round braces.
Predrilled for easy mounting.
Assembles with 3/16 rivets.
Die stamped radiused ends with 1/4" mounting holes.
Larger OD and thicker tubing wall for a stronger brace.
Easily make any length you need, just put on two ends.

less than 1/2 oz each



Aluminum Ends

PN 50212 - \$ 9.95 (pk of 4)

less than 1oz each



Powder Coated Steel Ends

PN 50211 - \$ 9.95 (pk of 4)

3/8" & 1/2" Flex a Brace

Black composite rod will easily flex to over 120 degrees without breaking. 3/8" Rod Comes standard with aluminum receiving tube with welded 1/4-20 nut for easy adjustments and scalloped mounting bracket. Adjust up to 28". Approx weight = 4.5 ounces.

3/8" - PN 50205 \$ 17.50ea

Works Great for
1/4 Panels & Rear Bumper
Cover Bracing

Flex a Brace

For More Strength try our 1/2" Flex a Brace

Great for Larger High Speed Tracks

1/2" - PN 50208 \$ 21.95ea

Adjust from both ends

.063 Aluminum Scalloped Mounting Bracket

PN 50204 \$ 6.95 (Pkg of 4)



Adjustable Hex Body Brace's

Powder Coated Black Adjustable 3/8" Hex Body Brace Kit

- Unique multi position mounting bracket allows several ways of attachment
- All rivet and bolt holes come predrilled in brackets
- Unique design allows access to rivet from front or back side
- Radiused bottom allows for better fit when attaching to bars
- Easily adjust with only one 3/8" wrench

Kit includes:

- 8 Rivets
- 4 Button head allen bolts
- 4 Plated nylocks
- 4 Low profile flat nuts
- 4 Stainless Steel button head bolts with lock washers
- 4 Custom made steel rod ends
- 2 Lightweight aluminum jam nuts
- 2 Hollow Hex tubes (7") with Powder Coat finish that adjust from 8" to over 10"
- 4 Multi Position Mounting Brackets

Powder Coated 3/8" Hex Body Brace Kit

PN 50100B \$ 31.50 (Pkg of 2)



Now with non gaulding CNC Steel Rod Ends

Lightest in the Industry

New Satin Black Powder Coated Finish



Best Value

Great Time Saver in Tech Line

These Hex Braces work Great to Support Body Panels, Window Braces and also make Lightweight Economical Rear Spoiler Braces

Bolt



Clamp



Rivet



New Radiused bottom fits roll bars

ARbodies EZ Adjustable Body Braces Make Fitting Templates a Snap!

**EZ to Install
EZ to Adjust
Lightest in the Industry!**

New Design with Radiused bottom allows for better fit when attaching to bars

Rivets, Clecos, Washers & Drill Bits

Best Avex Type Multi Grip Rivets Anywhere

THESE RIVETS ARE GUARANTEED TO HOLD TIGHT & DRILL OUT EZ

Unique Design keeps stem deep in rivet for EZ Drill Out, These Rivets form their own Backup Washer when installed

Available in 3/16" Small Head 3/8" diameter, and Large Head 5/8" diameter

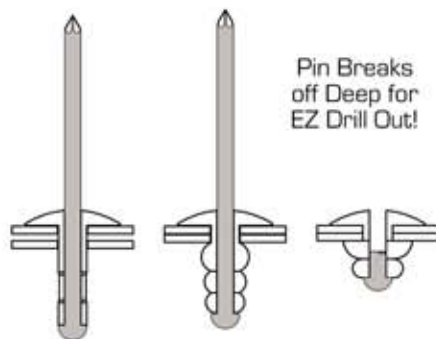
3/16" Multi Grip Rivets

STANDARD LENGTH		GRIPS UP TO 6 PCS. OF .040 ALUMINUM	
Small Head 3/16" 250 pcs		Large Head 3/16" 250 pcs	
COLOR			
Mill Finish	PN 6250 \$ 20.50	PN 6251 \$ 22.50	
White	PN 6250W \$ 22.50	PN 6251W \$ 24.50	
Black	PN 6250B \$ 22.50	PN 6251B \$ 24.50	
Red	PN 6250R \$ 22.50	PN 6251R \$ 24.50	
Chevron Blue	PN 6250CB \$ 22.50	PN 6251CB \$ 24.50	
Yellow	PN 6250Y \$ 22.50	PN 6251Y \$ 24.50	
Pepsi Blue	PN 6250PB \$ 22.50	PN 6251PB \$ 24.50	
Orange	PN 6250O \$ 22.50	PN 6251O \$ 24.50	



STANDARD

Most Popular for body mounting. Used where total amount of material being riveted does not exceed 1/4" Thick.



Pin Breaks off Deep for EZ Drill Out!

3/16" Large Head Exploding Star Rivets

Works great on soft materials such as plastic to plastic or plastic to fiberglass.

100 ct. Mill Finished

PN 6104

\$ 19.50



1/8" Multi Grip Rivets 3/8" Diameter Large Head in Colors

250 ct. Mill Finished PN 5253 \$ 19.50

250 ct. White PN 5253W \$ 21.50

250 ct. Red PN 5253R \$ 21.50

250 ct. Black PN 5253B \$ 21.50



1/8" Small Head

250 ct. Mill Finished PN 5250 \$ 19.50

Lightweight Aluminum Backup Washers

	3/8" OD	5/8" OD
100 ct. 1/8"	PN 5000 \$ 6.50	N/A
250 ct. 1/8"	PN 5001 \$ 9.95	N/A
100 ct. 3/16"	PN 6000 \$ 6.95	PN 6010 \$ 9.95
250 ct. 3/16"	PN 6001 \$ 9.95	PN 6020 \$ 13.50



Body Installation Drill Bit Kit

3 Oversize Double ended drill bits for 3/16" Rivets
1 Oversize Double ended drill bit for 1/8" Rivets

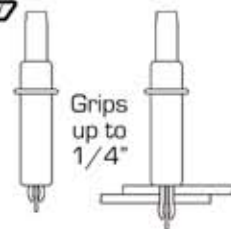
PN 52400 \$ 12.95

Premium Body Installation Drill Bit Kit

Last Longer and drill easier... Single ended
4 Oversize drill bits for 3/16" Rivets
2 Oversize drill bits for 1/8" Rivets
Made In USA

PN 52401 \$ 15.95

Clecos 1/8" & 3/16"



1/8" 20pk PN 53000 \$ 19.95

3/16" 20pk PN 53001 \$ 19.95

Cleco Pliers



Pliers - PN 53002 \$ 12.00

88 Monte Carlo

Aftermarket 88 M/C Fenders, Doors, Quarter Panel's and Rockers available, call for details!



88 Monte Carlo Nose

This nose was designed and built from an actual 1988 Cup Style Nose piece with an extra 2-1/4" added to the bottom to help keep the air from going under your car. For best Aerodynamics always seal your nose to the track or as close as possible. This nose is a must for the Serious Sportsman racer.

Nose & Tail Covers available in 7 Racing Colors, (B-black, W-white, R-red, O-orange, PB-pepsi blue, CB-chevron blue, Y-yellow)

Made from Durable Plastic! Tough enough to take the punishment of short track racing!

Right Side Nose - PN 17005Rx \$ 58.75 (black, white) \$ 61.00 (colors)
 Left Side Nose - PN 17005Lx \$ 58.75 (black, white) \$ 61.00 (colors)

88 Monte Carlo Upper & Lower Grill Screens

Upper and lower premade grill screen bezels with stainless screen. CNC manufactured to fit our 88 Monte Carlo nose piece featuring a light weight .032 aluminum preformed bezel (trim ring) with our durable welded stainless steel screen manufactured for maximum airflow to your radiator. Lower screen features CNC cut bowtie emblem and SS logo.

These grill screens look excellent and make the perfect finishing touch to your 88 Monte Carlo. Save many hours hard labor trying to hand make.



Upper Grill Screen - PN 17090 \$ 44.50



Lower Grill Screen - PN 17091 \$ 44.50

88 Monte Carlo Graphics

Realistic looking Headlight & Tail light Graphics make your car look like it actually has the original lights and makes a great finishing touch for your sportsman car. Sold individually or in a master pack that includes everything shown.

Upper Grill Decal - PN 170406 \$ 14.50

Headlights -
 PN 170405
 \$ 26.00

Taillights - PN 170415 \$ 26.00



Nose ID Kit -
 PN 170421
 \$ 30.95

(headlights+grill decal)



Master Decal Kit - PN 170420 \$ 56.95
 save \$\$, Includes all 3 kits

88 Monte Carlo

88 Monte Carlo Valance Wear Strips

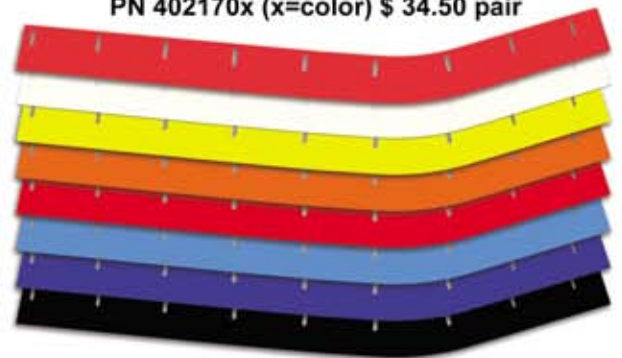
Now fits over fender back to wheel opening, Adds up to 2" to the bottom of your nose!

3-1/2" tall valance made from durable .145 thick plastic, bolts to the lower valance area of your nose. CNC designed and manufactured with slots for easy adjustment. Makes it easy to adjust down to the track and keep that nose sealed off. Mounts using our Valance Attachment Kit, on page 14.

Available in 8 Racing Colors: B-black, W-white, R-red, O-orange, PB-pepsi blue, CB-chevron blue, Y-yellow, NO-neon orange



PN 402170x (x=color) \$ 34.50 pair



88 Monte Carlo Tail, Rear Bumper Cover

Another super durable product that will take a beating at your local short track. Same basic width and shape as a stock 88 Monte Carlo rear bumper cover. Saves weight when compared to stock parts. Nose & Tail Covers available in 7 Racing Colors, (B-black, W-white, R-red, O-orange, PB-pepsi blue, CB-chevron blue, Y-yellow)



Right Side - PN 17015Rx \$ 58.75 (black, white)
\$ 61.00 (colors)

Left Side - PN 17015Lx \$ 58.75 (black, white)
\$ 61.00 (colors)

Spoiler Mount Kit - PN 40615 \$ 26.50

- 40 pc kit includes: 10 CNC aluminum countersunk wide OD washers, 10 backup washers, 10 nylocks and 10 countersunkbolts.

Universal Extra Wide Composite Hood

This hood has been oversized on all sides to allow for fitting on the top edge of stock fenders or it can be trimmed to fit original stock dimensions. Convex design for maximum air cleaner clearance without a scoop.



Hood - PN TA760 \$ 166.75

88 Monte Carlo Spoiler



2 pc. spoiler custom designed for 88 Monte Carlo's. Manufactured from durable 1/8" aluminum with CNC cut SS logo. 6" tall with mounting lip, total 60" wide, approx 55° Simply bolts to the back of our plastic rear bumper cover or to the original deck lid.

Spoiler - PN 170565 \$ 69.50

86 Caprice



Made from Durable Plastic!
Tough enough to take the punishment of short track racing!

**Aftermarket Caprice Fenders, Doors, Rockers
Quarter Panel's available, call for details!*

Right Side Nose - PN 17405Rx \$ 58.75 (black, white) \$ 61.00 (colors)
Left Side Nose - PN 17405Lx \$ 58.75 (black, white) \$ 61.00 (colors)

86 Caprice Upper & Lower Grill Screens

Upper and lower premade grill screen bezels with stainless screen. CNC manufactured to fit our 86 Caprice nose piece featuring a light weight .032 aluminum preformed bezel (trim ring) with our durable welded stainless steel screen manufactured for maximum airflow to your radiator.

These grill screens look excellent and make the perfect finishing touch to your 86 Caprice. Save many hours hard labor trying to hand make.



Upper Grill Screen - PN 17490 \$ 44.50



Lower Grill Screen - PN 17491 \$ 44.50

86 Caprice Graphics

Realistic looking Headlight & Tail light Graphics make your car look like it actually has the original lights and makes a great finishing touch for your sportsman car.



Headlights - PN 174405 \$ 26.00



Tail lights - PN 174415 \$ 26.00

88 Monte Carlo/86 Caprice Front & Rear Bumper Bars

1-3/4" .080 wall mild steel round tubing preformed to fit the contour of the 88 Monte Carlo and 86 Caprice Nose and Tail.

Bumper Bars are now 3" shorter on each end for better fit and economical shipping rates



Front - PN 17055 \$ 32.00



Rear - PN 10065 \$ 32.00

Front and Rear Bumper Bar Installation Kits

- (2) 1-1/2" round 22" *prenotched tubes (front 30°, Rear 10°)
 - (2) Weld on receivers with threaded boss and thru hole
 - (2) Jam Bolts, (2) thru bolts with nylocs
- *tubes are prenotched to fit 1-3/4" round bumper bars

Front or Rear
Bumper
Installation Kit -
PN 50307 \$ 19.95

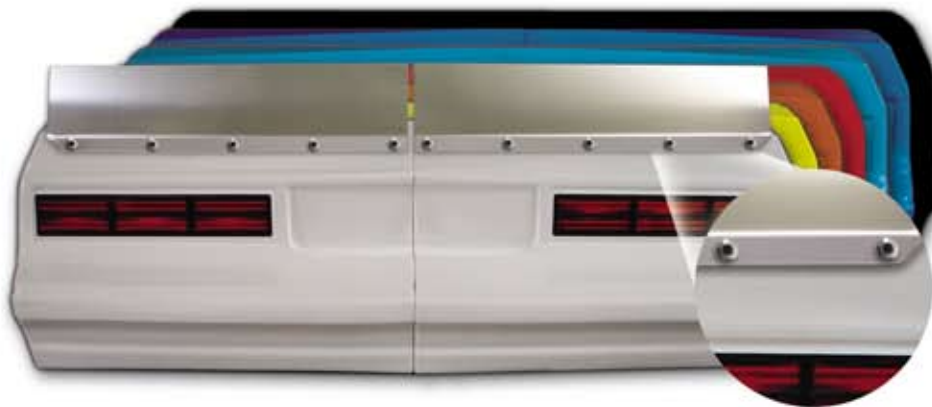


86 Caprice Tail, Rear Bumper Cover

Another super durable product that will take a beating at your local short track. Same basic width and shape as a stock 86 Caprice rear bumper cover. Saves

weight when compared to stock parts.

Nose & Tail Covers available in 7 Racing Colors, (B-black, W-white, R-red, O-orange, PB-pepsi blue, CB-chevron blue, Y-yellow)



Right Side - PN 17415Rx \$ 58.75 (black, white)
\$ 61.00 (colors)

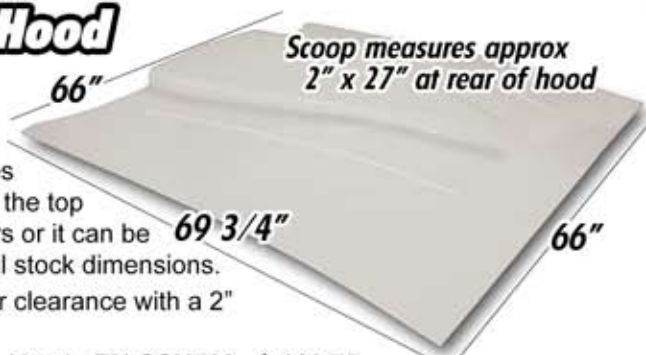
Left Side - PN 17415Lx \$ 58.75 (black, white)
\$ 61.00 (colors)

Spoiler Mount Kit - PN 40615 \$ 26.50

- 40 pc kit includes: 10 CNC aluminum countersunk wide OD washers, 10 backup washers, 10 nylocks and 10 countersunkbolts.

Universal Extra Wide Cowl Induction Composite Hood

This hood has been oversized on all sides to allow for fitting on the top edge of stock fenders or it can be trimmed to fit original stock dimensions. Maximum air cleaner clearance with a 2" Hood Scoop.



Hood - PN CSH760 \$ 166.75

86 Caprice Spoiler



2 pc. spoiler custom designed for 86 Caprice Manufactured from durable 1/8" aluminum. 6" tall with mounting lip, total 60" wide, approx 55°. Simply bolts to the back of our plastic rear bumper cover or to the original deck lid.

Spoiler - PN 174565 \$ 69.50

Do all to the Glory of GOD 1st Cor 10:31

88 Monte Carlo & 86 Caprice Body Components

Aftermarket Fenders, Doors, Quarter Panel's and Rockers available, call for details!



2pc Durable Plastic

Great Looking Graphics

Best Looking Sportsman Body Anywhere!



EZ Flange Fit NGB Sportsman Bodies



Call Today

1-888-245-1468

Photo Credits:

Doug Hornickel - Mark Melchiori - Tim Vinsant

Available 2012... **ALL NEW X-Y-G Metric Chassis Format 2012 Mustang**

New Narrow Tread Width with Perimeter Style Qtr Panels

108" Wheelbase

